

ERO 175

ECOWATER SERIES • DRINKING WATER SYSTEM



Reverse Osmosis Drinking Water System

Reverse Osmosis (RO) drinking water systems provide high-quality water for worry-free living. Improve the quality of your well or municipal water with the EcoWater ERO 175.

Get bottled water quality in the convenience of your own home. No need to lift heavy bottled water. The EcoWater ERO 175 provides great tasting water for all your cooking and drinking water needs.

Here's how an RO works:

- 1** Household water is directed through a pre-filter to remove sediment, chlorine taste and odor, and particulate matter.
- 2** The water is forced, by pressure, through a semi-permeable membrane where a high percentage of the dissolved solids are rejected and flushed to the drain.
- 3** Finally, the water passes through an activated carbon absorption block filter removing tastes and odors. The water passes through this filtering stage immediately before going to the faucet.

ERO 175 Features:

- Three-stage filtering process: carbon sediment filter, RO membrane; and a carbon post filter to polish the water before you drink it
- Durable chrome-colored faucet
- NSF tested and certified



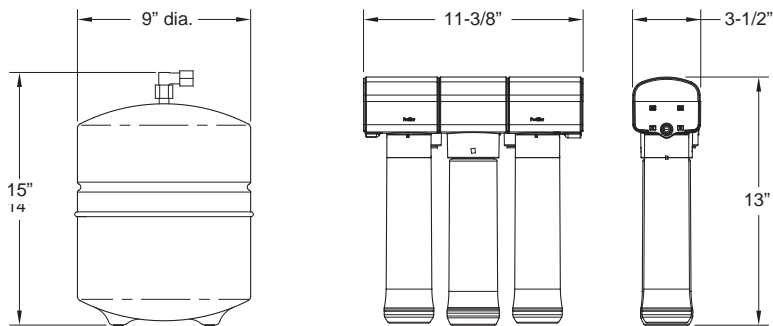
Designed, Engineered &
Assembled in the U.S.A.



Clean water.
Green future.™

ERO 175

DIMENSIONS



Warranty:

- One year on the reverse osmosis drinking water system and membrane for defects in material and workmanship.
- Five years on storage tank.
- Filter cartridges are not covered. The service life of the membrane and filter cartridges is dependent on the feedwater quality.

SPECIFICATIONS

	ERO 175
Feed water pressure (min.-max.)	40-100 psi
Feed water temperature (min.-max.)	40-100°F
Maximum Total Dissolved Solids (TDS)	2,000 ppm
Membrane percent rejection of TDS (min.)	91%
System product water production rate (gal. per day)*	18.4
Feed water pH limits	4-10 pH
Maximum iron	0
Maximum hydrogen sulfide	0
Maximum manganese	0
Type of membrane	thin film composite
Pre-filter (sediment/carbon)	block carbon
Post-filter (taste and odor)	block carbon
Automatic shut off valve	yes

*Tested to NSF/ANSI Standard 58.

ERO 175: For municipal and well water applications.

Chlorine levels must not exceed 2.0 ppm

Typical impurities reduced by an EcoWater Reverse Osmosis Drinking Water System Model ERO 175 System.

- Ammonium¹
- Arsenic
- Barium
- Bicarbonate¹
- Bromide¹
- Cadmium
- Chloride¹
- Chromium (Hex)
- Chromium (Tri)
- Chlorine Taste & Odor
- Copper
- Cysts (Giardia/Cryptosporidia)
- Fluoride
- Lead
- Magnesium¹
- Nitrate/Nitrite
- Radium 226/228
- Selenium
- Sodium¹
- Sulfate¹
- Tannin¹
- TDS
- Turbidity
- Zinc¹

Tested and Certified to NSF/ANSI Standard 58 by NSF International. Rated at 50 psi, 77 F, 750 ppm/TDS, product to storage tank. Product water produced, amount of waste water and percent rejection will vary with changes in pressure, temperature and total dissolved solids.

¹Tested by Spectrum Labs, Inc. a state certified testing laboratory.



A Marmon Water/Berkshire Hathaway Company



EcoWater Systems LLC
P.O. Box 64420
St. Paul, MN 55164-0420
www.ecowater.com

EcoWater Systems Ltd.
#1 Independent Bus. Pk. Mill Rd.
Stokenchurch, Bucks
United Kingdom HP14 3TP

EcoWater Canada Ltd.
5240 Bradco Blvd.
Mississauga, Ontario
Canada L4W 1G7

EcoWater Systems Europe N.V.
Geelseweg 56
2250 Olen
Belgium

Kunshan EcoWater Systems Company, Ltd.
483 San Xiang Road
Kunshan Economic & Technical
Development Zone
Kunshan, Jiangsu Province, PRC 215335